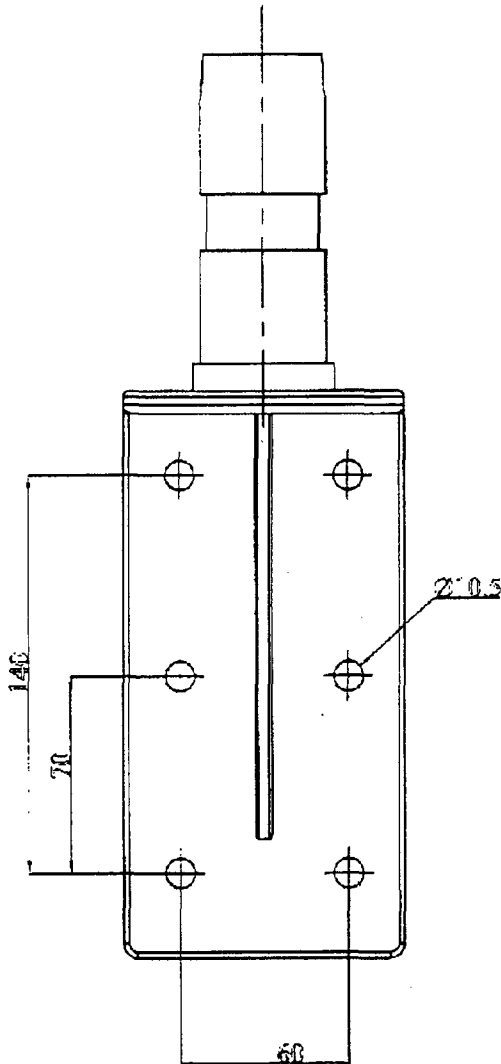
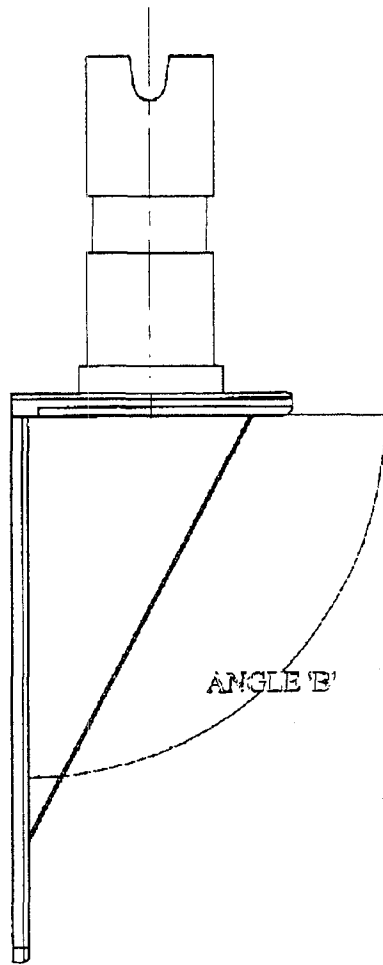


APPROVAL	
ANGLE 'A'	
ANGLE 'B'	
SIGNATURE	
PRINT NAME	
DATE	
NOTES	



TITLE
LSD TRANSOM BRKT

DRAWN S. Bird
DATE 20.01.03

COONEY MARINE INTERNATIONAL

MOUNTING ANGLES

THIS DRAWING AND THE INFORMATION THEREON IS THE SOLE PROPERTY OF COONEY MARINE INT. LTD AND SHALL NOT BE COPIED OR REPRODUCED WITHOUT THE CONSENT OF COONEY MARINE INT. LTD

TELFORD WAY, KETTERING
NORTHANTS, NN16 8UN
TEL: 01536 484481
FAX: 01536 411580